

Installation Instructions for Trolley



Shenzhen HugeMed Medical Technical Development Co.,Ltd.

Marketing Center: Floor 8, Block A, Tengbang Building, Qingshuihe 1st Road, Luohu District, Shenzhen

Production Address: No. 516-1, Building 2, No. 1, Mawu Road, Baoan Community, Yuanshan Street, Longgang District, Shenzhen

Phone: 0755-2227 5866

Fax: 0755-2227 5833

Email: Sale@Hugemed.net

Website: www.HugeMed.net

Table of Content

Before Installation

■ Unpacked Goods	1
■ Trolley Components Preparation and Precautions Unpacked Goods	
Trolley components Preparation and Precautions	2

Installation Steps

■ Step 1	3
■ Step 2	4
■ Step 3	5
■ Step 4	6
■ Step 5	7
■ Step 6	8

Other Accessories

■ List of Screws and Mounting Tools	9
---	---

Unpacked Goods



(1) Main Part



(2) Base



(5) Stator



Bayonet C



(5) Rotating Components
(10) Fixed Plate of Main Engine



(6) Handle



(9) Basket



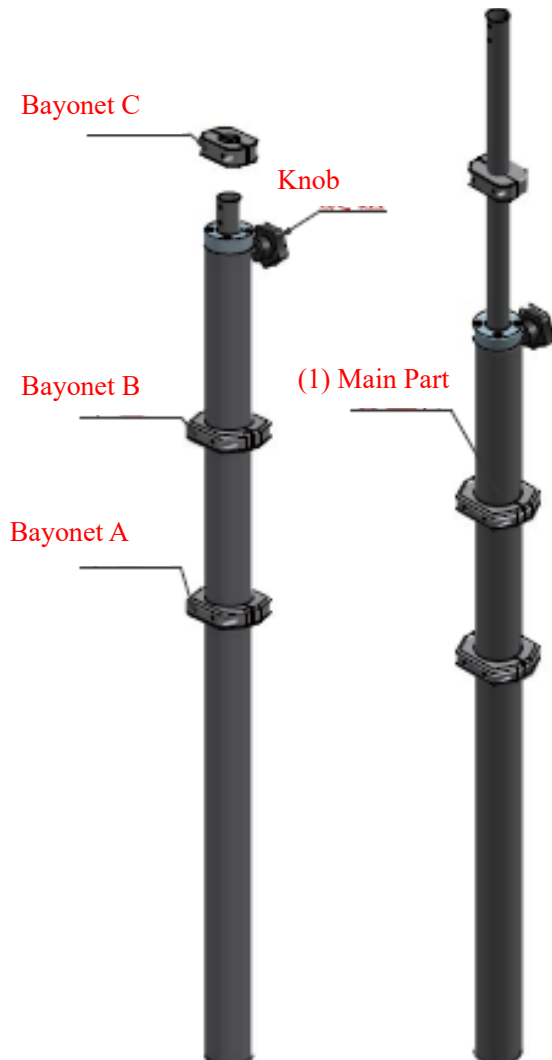
(12) Hanger

Note: There are screws and installation tools in the case

Trolley Components Preparation and Precautions

Preloaded Main Part after unpacking:

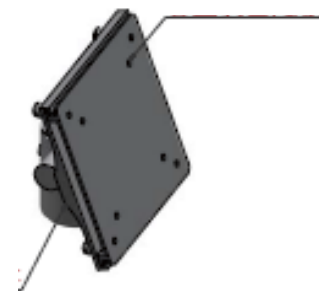
1. Loosen the knob on the Main Part counterclockwise;
2. Pull the telescopic rod, adjust to the right position, and lock the knob clockwise;
3. Loosen the screw of bayonet C and insert it into the telescopic rod;
4. Lock the screw of bayonet D;



Unpacked state Pre-loaded with completed state

Announcements

(10) Fixed Plate of Main Engine



(5) Rotating Components

The (10) Fixed Plate of Main Engine has been preinstalled on the (5) Rotating Components. The (10) Fixed Plate of Main Engine needs to be removed for subsequent installation. The operation method is as follows:

1. Loosen the four hand screws on the (5) Rotating Components;
2. Pull the positioning lever on the (5) Rotating Components;
3. Transverse pull out the (10) Fixed Plate of Main Engine;

Bayonet adjustment scheme



Adjustment method of bayonet:

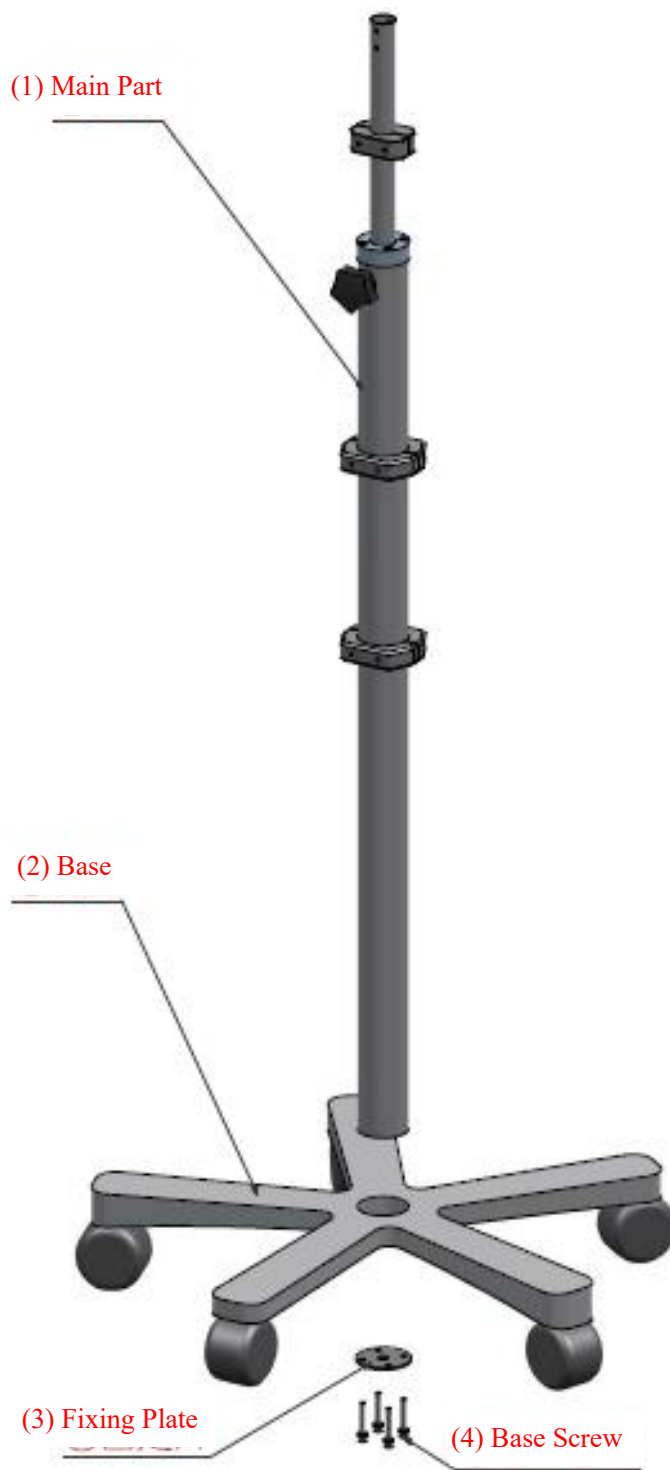
1. Loosen the locking screws of the bayonet;
2. Adjust the position of bayonet;
3. Tighten the locking screws of the bayonet;

Note: The bayonet can be adjusted at any installation step.

Step 1:

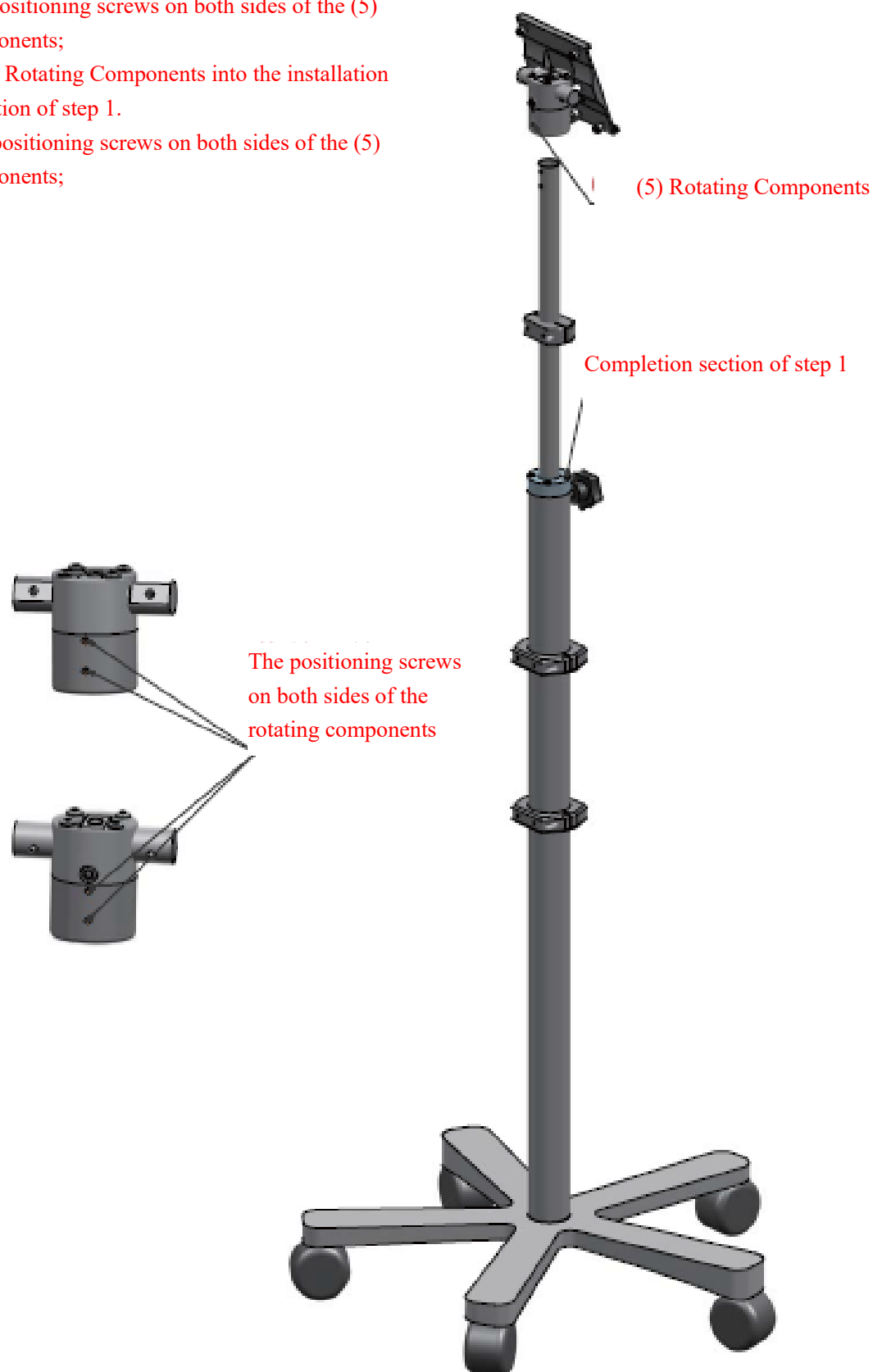
Insert the (1) Main Part into the (2) Base;

Use (4) Base Screw to lock the (3) Fixing Plate, (2) Base and (1) Main Part;



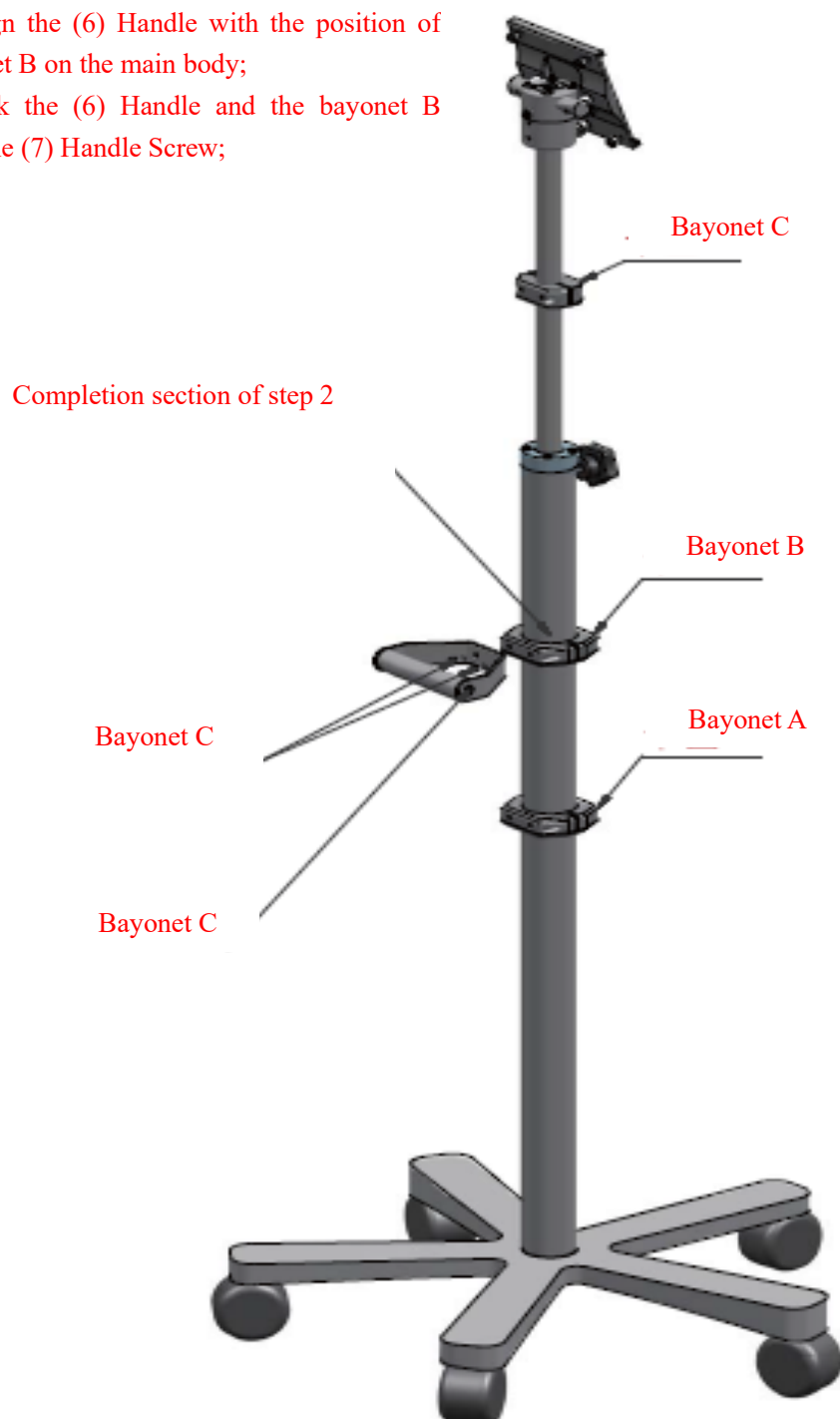
Step 2:

1. Loosen the positioning screws on both sides of the (5) Rotating Components;
2. Insert the (5) Rotating Components into the installation completion section of step 1.
3. Tighten the positioning screws on both sides of the (5) Rotating Components;



Step 3:

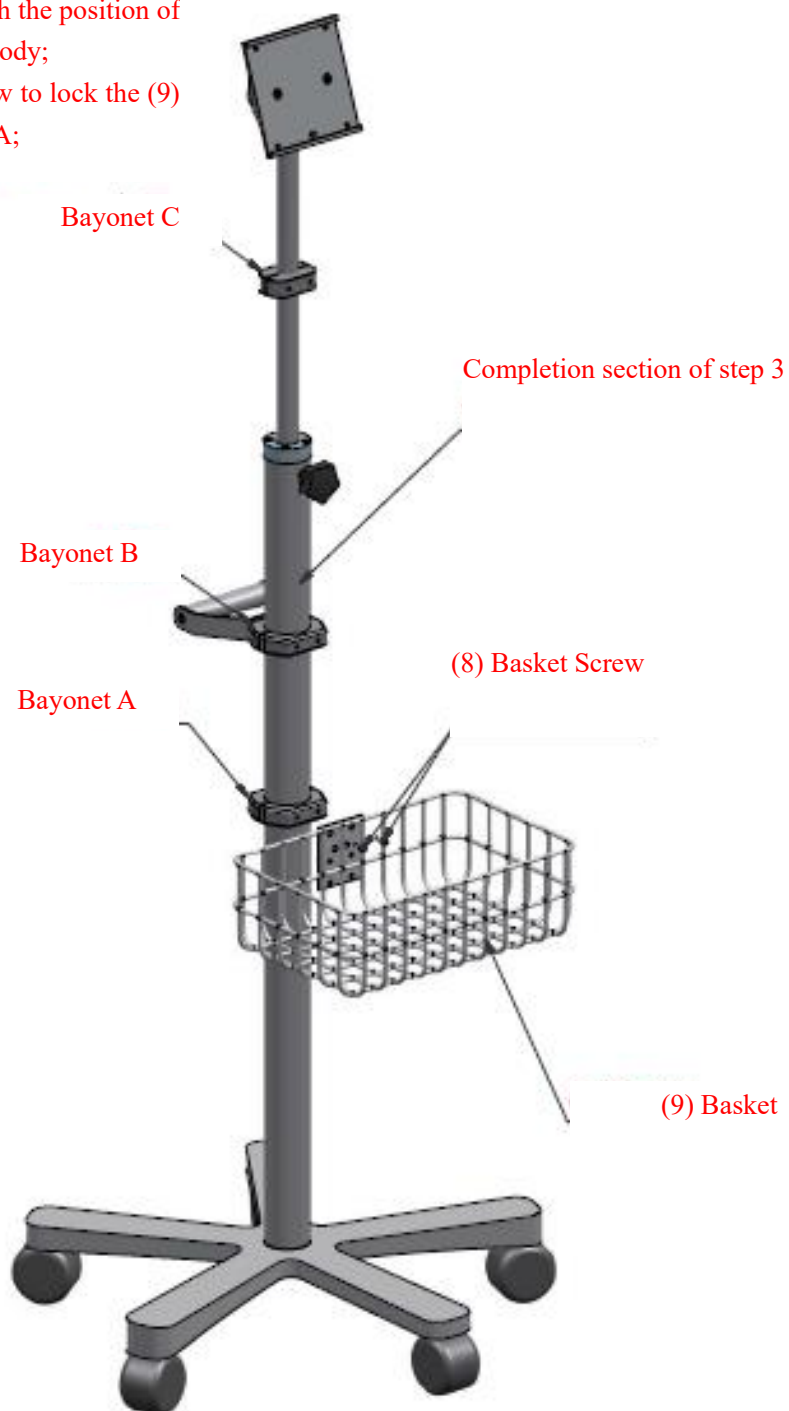
1. Align the (6) Handle with the position of bayonet B on the main body;
2. Lock the (6) Handle and the bayonet B with the (7) Handle Screw;



Step 4:

Align the (9) Basket with the position of bayonet A on the main body;

Use the (8) Basket Screw to lock the (9) Basket and the bayonet A;

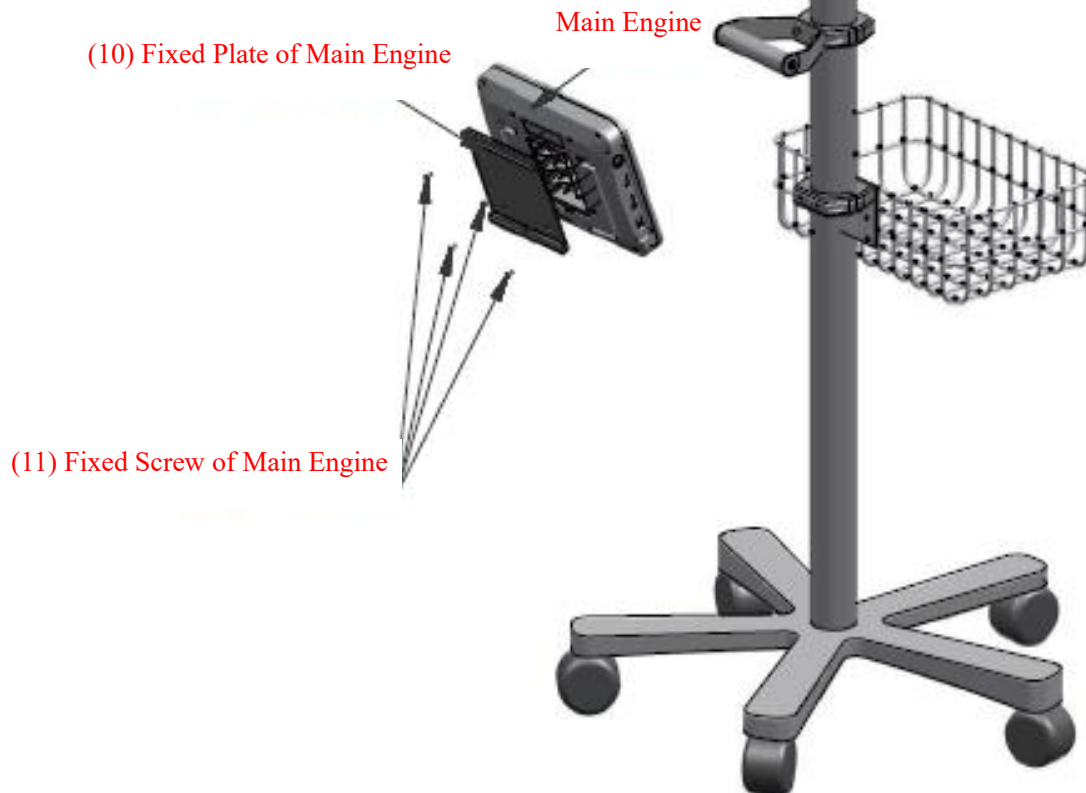


Step 5:

1. Align the (10) Fixed Plate of Main Engine with the upper hole of the main engine;
2. Use the (11) Fixed Screw of Main Engine to lock the two parts.
3. Align the main engine with the groove of the (5) Rotating Components, pull the locating rod on the main engine bottom plate, insert the main engine into the (5) Rotating Components, release the locating rod after insertion, and then tighten the four hand screws.

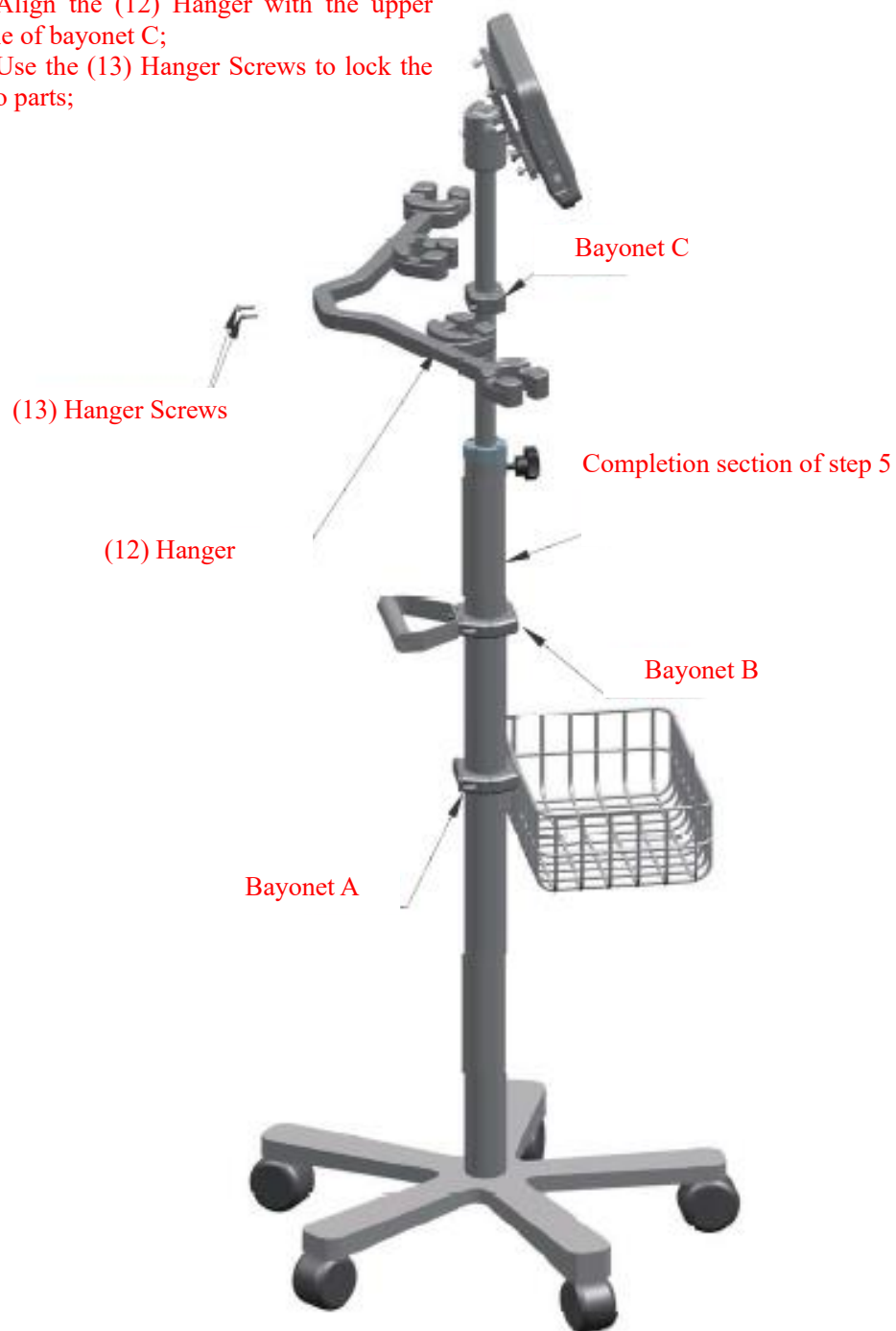


Install the main engine of the main engine fixed plate



Step 6:

1. Align the (12) Hanger with the upper hole of bayonet C;
2. Use the (13) Hanger Screws to lock the two parts;



List of Screws and Mounting Tools

Base screws (for assembly) : 4

Handle screws and basket screws (for assembly + spare) : 5

Hanger screws (for assembly + spare) : 6

Bayonet screws (spare) : 4

Fixed screws for main engine (for assembly + spare) : 8

Bayonet locking screws (spare) : 1

Hexagon socket wrench: large, medium and small in total 3



Move with you, see you want to see, innovation has been going on...

Shenzhen HugeMed Medical Technical Development Co.,Ltd.

Marketing Center: Floor 8, Block A, Tengbang Building, Qingshuihe 1st Road, Luohu District, Shenzhen

Production Address: No. 516-1, Building 2, No. 1, Mawu Road, Baoan Community, Yuanshan Street, Longgang District, Shenzhen

Phone: 0755-2227 5866

Fax: 0755-2227 5833

Email: Sale@Hugemed.net

Website: www.Hugemed.net